

Record Doctor X User's Guide

Congratulations on your purchase of the ultimate vinyl LP cleaning machine!

We know reading manuals can be a drag, but don't worry, this manual is short and sweet. We want to help you make the most out of your machine and enjoy your LPs to the fullest. So, let's get started!

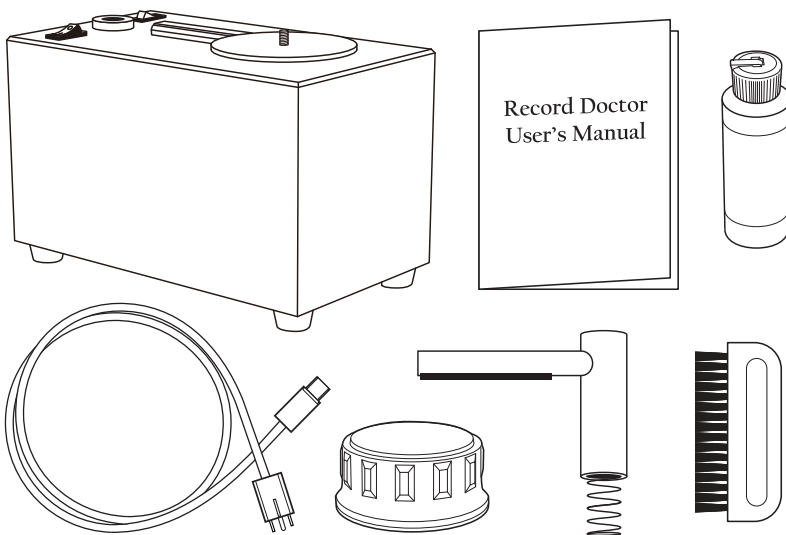
For Best Results:

- Find a clean, sturdy surface for your machine.
- Avoid using it on carpeted surfaces, as it may restrict airflow and make the machine run hotter.

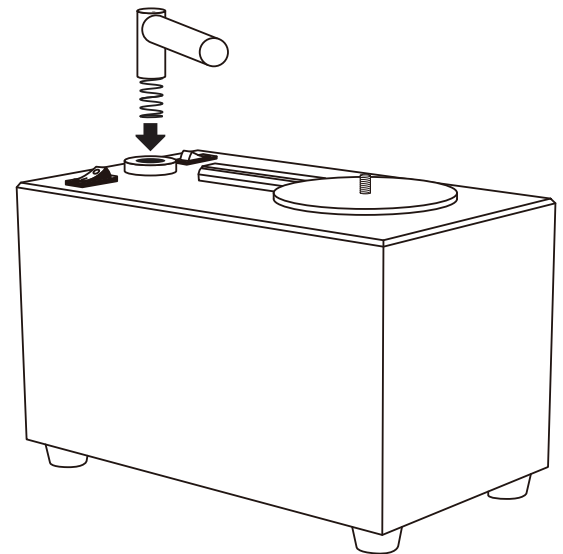
Gather your cleaning tools:

- Fluid applicator bottle
- Fluid applicator brush
- LP clamp

Contents

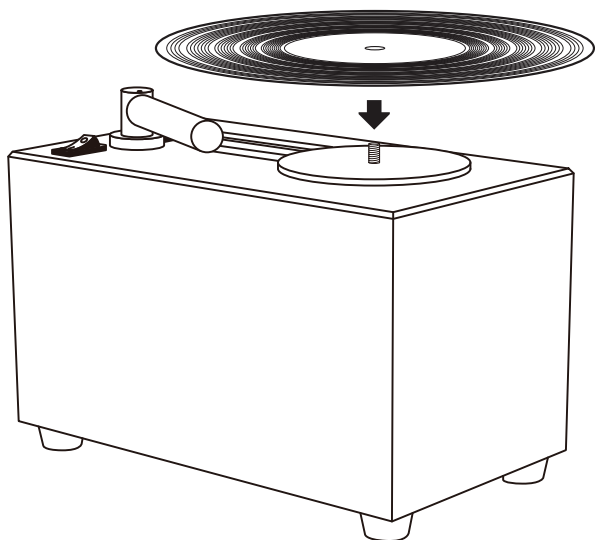


Assembly

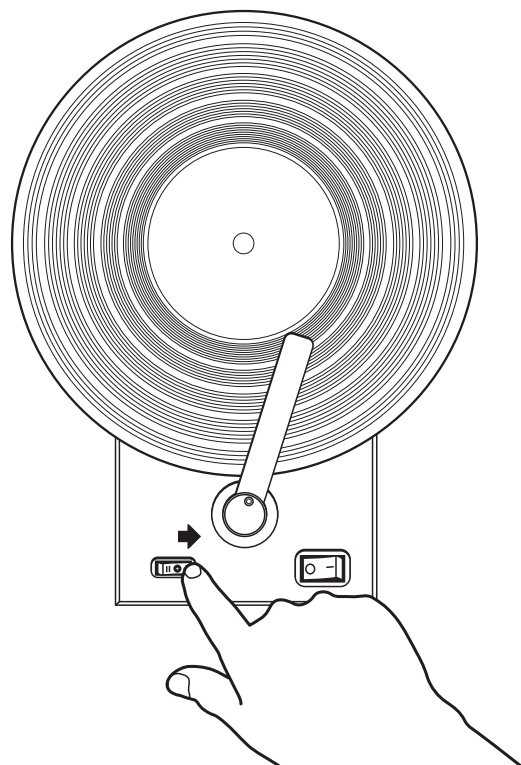


PANGEA[®]
A U D I O
AN AMERICAN COMPANY

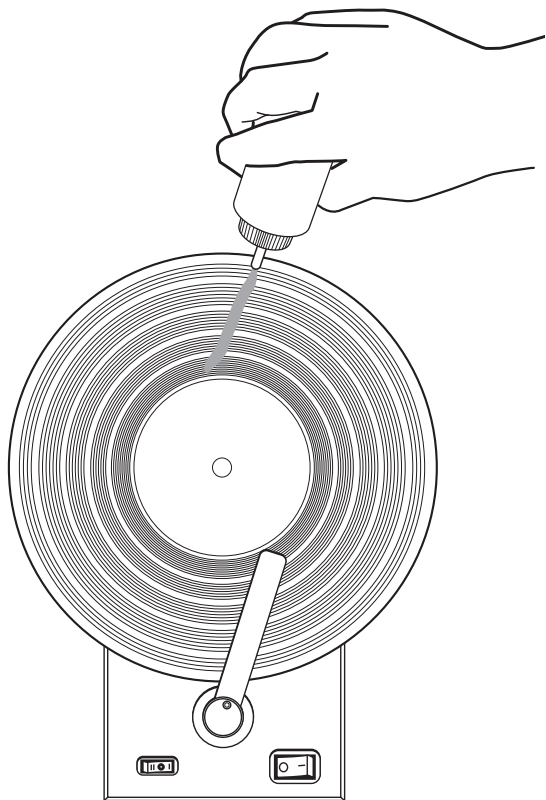
1 Place your LP on top of the machine, aligning the hole with the spindle.



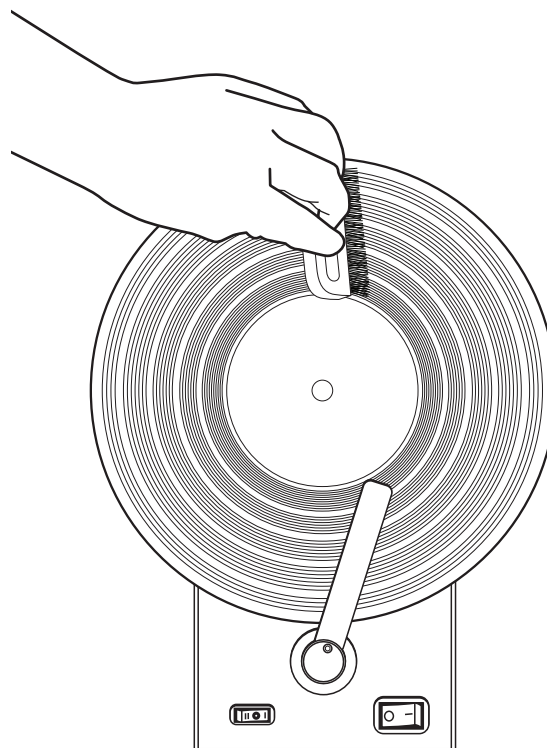
2 Turn on the rotation motor.



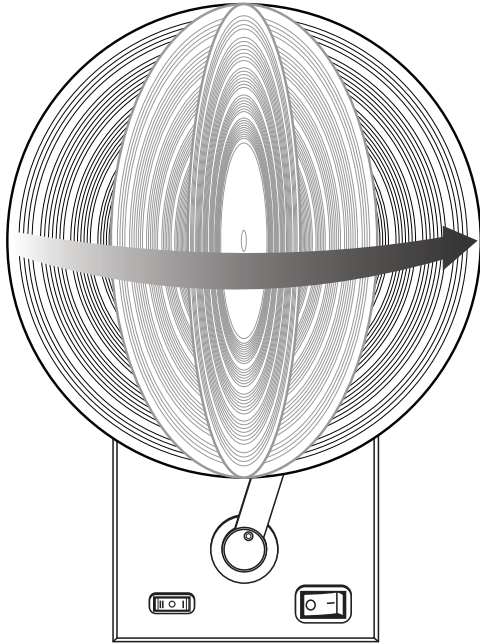
3 Apply a thin line of cleaning solution across the LP.



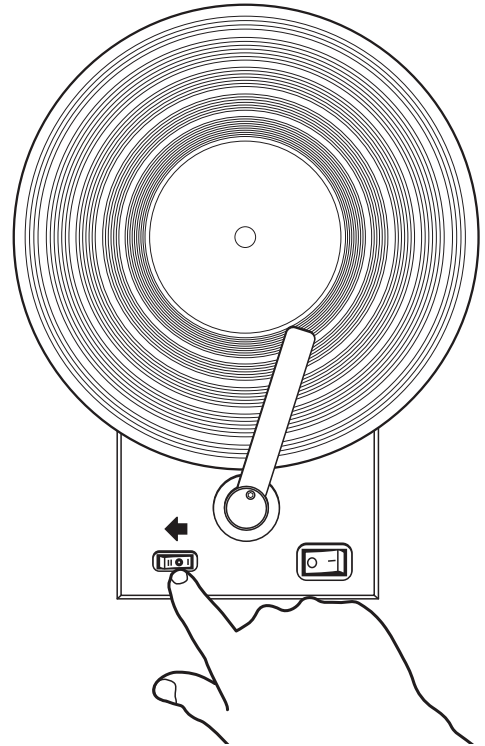
4 Using the fluid applicator brush, spread the fluid evenly across the LP grooves.



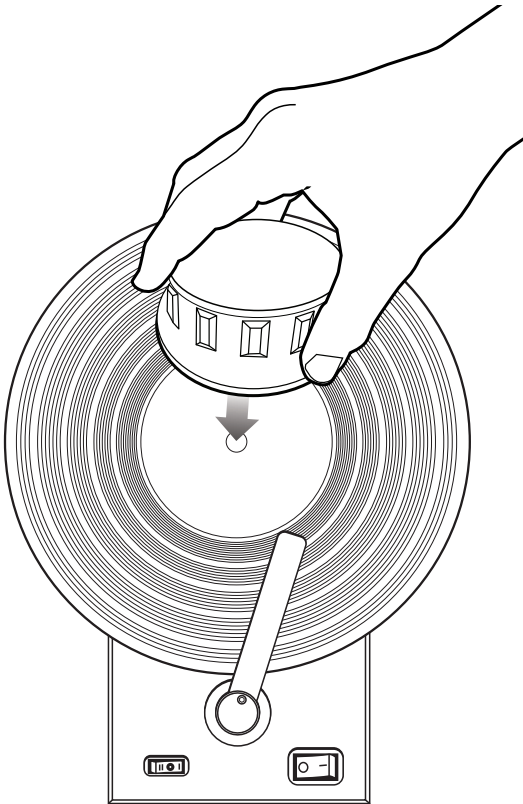
5 Turn off the rotation motor and flip the LP over.



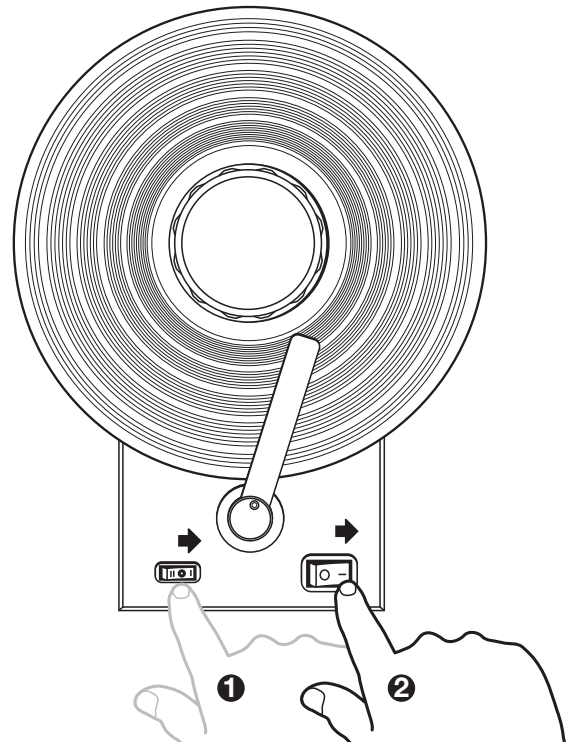
6 Turn on the rotation motor and repeat steps 3 and 4. Turn off the rotation motor.



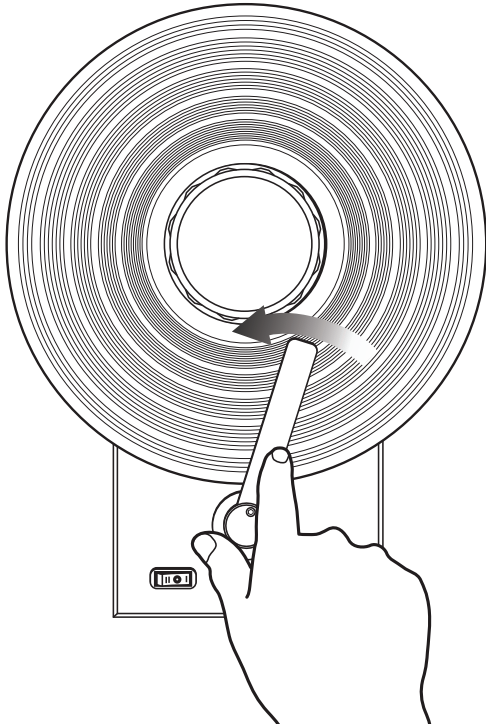
7 Put the LP clamp over the spindle and gently tighten it down on the LP.



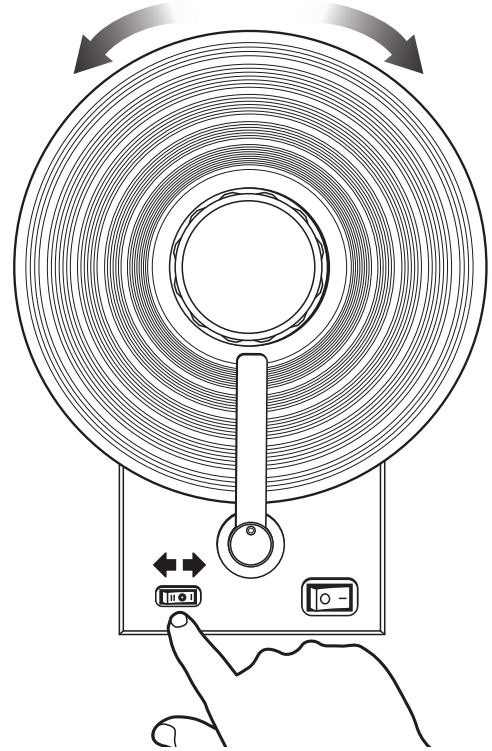
8 1) Turn on the rotation motor in either direction and 2) switch on the vacuum motor.



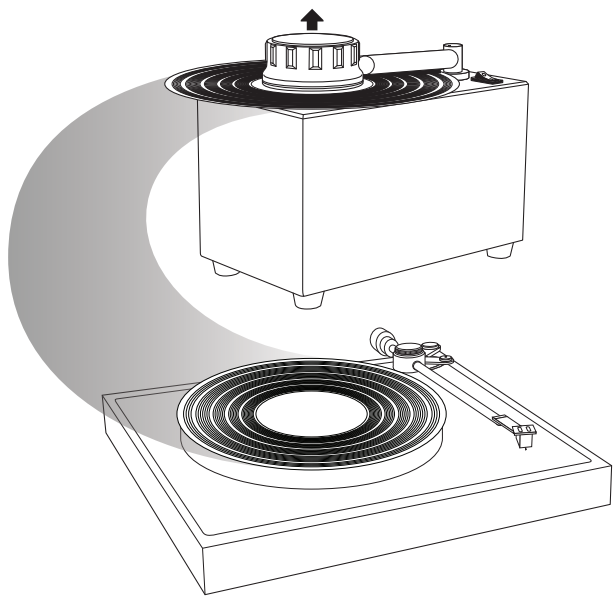
9 Gently push down the vacuum swing arm until it contacts the LP surface.



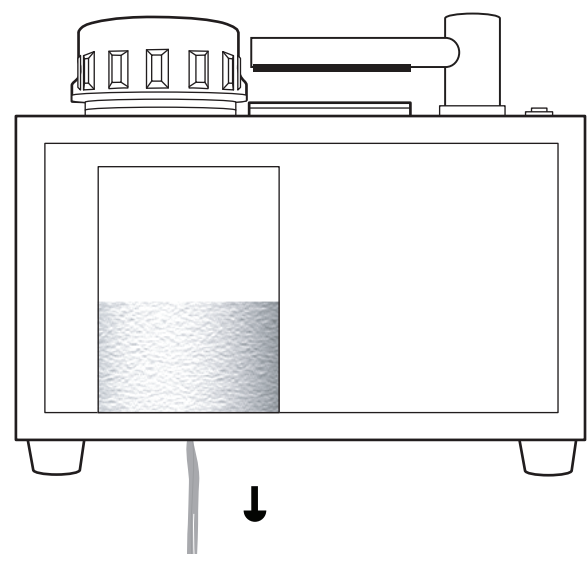
10 Let the LP spin for two or three rotations. Reverse the motor for two more rotations or until the LP is dry.



11 Switch off the vacuum motor, unscrew the LP clamp and enjoy that clean vinyl.



After cleaning 25 LPs, remove the bottom drain plug and drain into sink.



Remember to reinsert the plug before next use.

Record Doctor X

Safety & Use Guidelines

The Record Doctor X machine was designed and produced under strict quality controls. It complies with all established international safety standards. The following instructions should be fully read, understood, and observed in order to prevent any hazard, personal injury, or damage:



Do not attempt to open the machine or attempt to service inside! Severe risk of damage and electric shock!
There are no parts in the machine that require maintenance by the user.



Cleaning

Unplug the machine from the wall before cleaning the machine's cabinet. Use a soft, lint-free cloth. Do not use abrasives, solvents, thinners, chemicals, polishes, or other cleaning products that may permanently damage the finish.

Guidelines for Operation

- Always use in a well-ventilated area.
- Do not block the vacuum slots while operating.
- Tighten the clamp with light pressure, do not overtighten.
- Do not run the vacuum motor continuously while cleaning. Turn on and off as needed.
- If the machine becomes warm to the touch, stop cleaning and allow the machine to cool for at least an hour.
- The maximum recommended cleaning capacity is one hundred (100) LPs per day.
- Do not reuse spent fluid, which may damage your records.
- Never vacuum a dry record! This may damage the LPs surface.
- Regularly clean the Record Doctor cleaning strips with a soft toothbrush.
- Always replace the cleaning strips at the first signs of wear.

Warranty

The Record Doctor X is guaranteed against manufacturing defects for a period of one (1) year after the purchase date. User abuse, misuse, the use of unauthorized cleaning solutions, or shipping damage voids this warranty. For warranty service, visit www.pangeaaudio.com or call (866) 984-0677.

Record Doctor X

Safety & Use Guidelines

The Record Doctor X machine was designed and produced under strict quality controls. It complies with all established international safety standards. The following instructions should be fully read, understood, and observed in order to prevent any hazard, personal injury, or damage:



Do not attempt to open the machine or attempt to service inside! Severe risk of damage and electric shock! There are no parts in the machine that require maintenance by the user.



Cleaning

Unplug the machine from the wall before cleaning the machine's cabinet. Use a soft, lint-free cloth. Do not use abrasives, solvents, thinners, chemicals, polishes, or other cleaning products that may permanently damage the finish.

Guidelines for Operation

- Always use in a well-ventilated area.
- Do not block the vacuum slots while operating.
- Tighten the clamp with light pressure, do not overtighten.
- Do not run the vacuum motor continuously while cleaning. Turn on and off as needed.
- If the machine becomes warm to the touch, stop cleaning and allow the machine to cool for at least an hour.
- The maximum recommended cleaning capacity is one hundred (100) LPs per day.
- Do not reuse spent fluid, which may damage your records.
- Never vacuum a dry record! This may damage the LPs surface.
- Regularly clean the Record Doctor cleaning strips with a soft toothbrush.
- Always replace the cleaning strips at the first signs of wear.

Warranty

The Record Doctor X is guaranteed against manufacturing defects for a period of one (1) year after the purchase date. User abuse, misuse, the use of unauthorized cleaning solutions, or shipping damage voids this warranty. For warranty service, visit www.pangeaaudio.com or call (866) 984-0677.